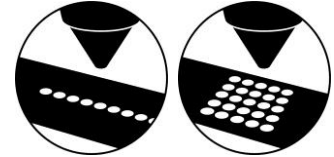


Workshop unit 520 DOTStar

Technical data sheet



- Marking area 120 x 100 mm (X/Y)
- Available marking technologies: dot-peening and vibropeening
- DataMatrix coding (ECC 200)
- Marking unit for universal and flexible direct workpiece marking
- Electrical precision marking head
- Designed for one-off production runs and small volume series
- Drive with stepping motors and recirculating ball screw drives

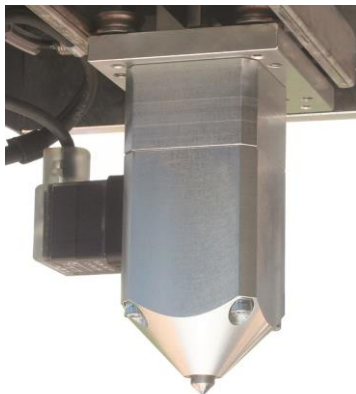


Application area

The 520 DOTStar is a compact workshop unit for permanent, flexible markings on almost every material. This BORRIES product offers the best technology in a low-wear and low maintenance design for an unrivalled competitive price. The large marking area offers the opportunity to mark single or multi lines texts, in free scalable size. Angle and circular arc markings are also possible as well as date, time and consecutive numeration. The marking data can be entered easily via the included BORRIES marking software VisuWin SE. A graphical user interface enables a quick installing and adapting of marking pictures (layouts).

Options:

- Manual plate module



Electrical marking head



Technical data

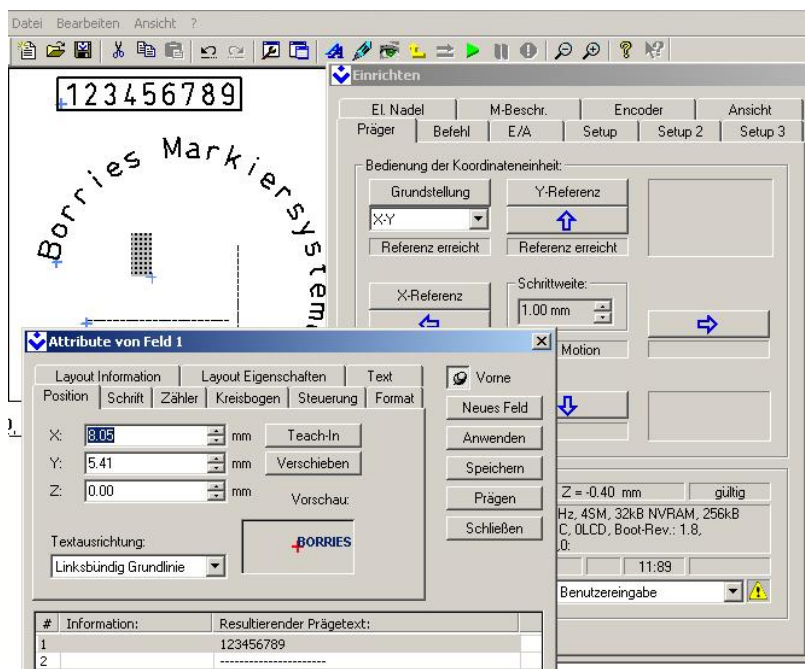
Property	Measure, Unit, Explanation
Dimensions workshop unit (W x D x H)	330 x 370 x 602 mm
Marking area (X, Y)	120 x 100 mm
Weight workshop unit	approx. 20 kg
Marking speed (depending on character height and shape, marking process and motorisation)	1- 3 characters/ second
Character height	free scalable from 0.5 mm
Penetration depth marking tip (depending on material, marking head and marking process)	approx. 0.03 – 0.3 mm
Distance between table and marking tip	0 – 180 mm adjustable
Font	DIN 1451, 7 x 5 dot marking, vibropeening DataMatrix code Other languages are optional
Marking direction	straight line, angle or circular arc
Documentation	German, English, French, Spanish, Italian Other languages are optional
Power supply	
Power supply with connecting cable	230V AC \pm 10 %, 50/60 Hz or 115 V AC \pm 10%, 50/60 Hz switchable
Power consumption	typical 140 W

Technical details are subject to change.



Marking software VisuWin SE (Standard Edition)

- Universal software for PCs with Windows® operating system.
- WYSIWYG representation during creation, processing and marking of the layouts
- Numerous date/ time functions, counters, variables
- Different standard character sets (customized fonts or logos)
- Data transfer via barcode (serial, optional), data transfer from files, configurable extraction of marking data
- Unlimited quantity of the layouts
- Storable marking job for sequences
- Protocol function via marked data
- Password protection against unauthorized access

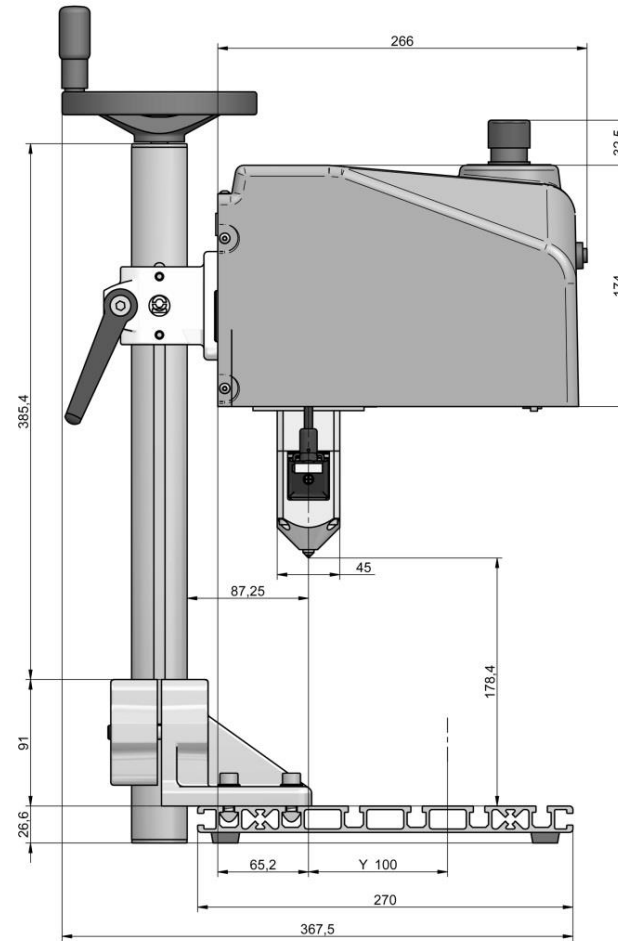
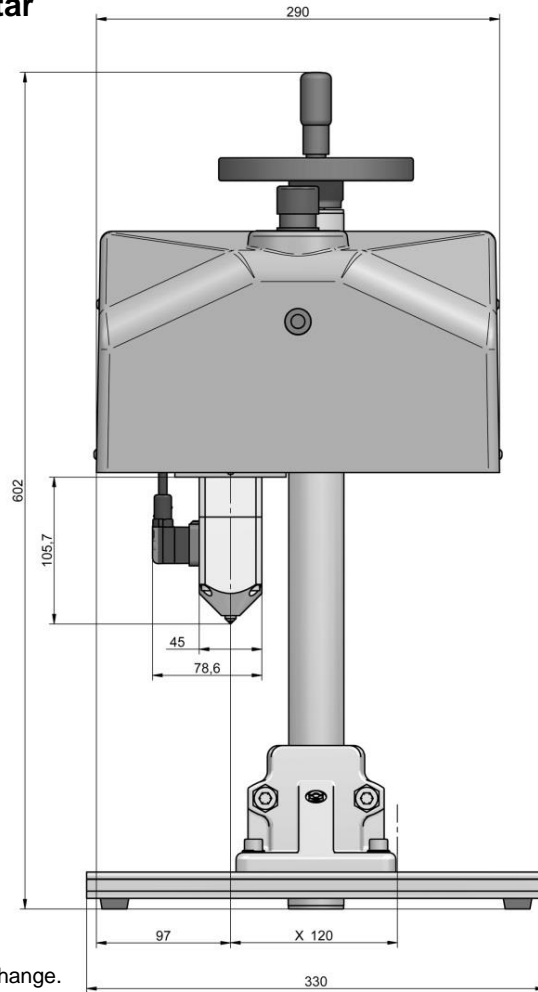


Minimum requirements for PC and operation system

- Computer with a processor of at least 1500 MHz
- CD-ROM drive
- Min. 1024 MB Ram
- Min. 100 MB free disc space
- Operating systems: Windows2000, Windows XP or Windows7, 32/64 Bit, Windows 8.1
- Screen with 1024x786 pixels or higher
- Interfaces: network, optionally USB 2.0 or serial interface for barcode scanner



Drawing 520 DOTStar



Dimensions in mm
 Technical details are subject to change.
 Date: July 2015

