

Marking-controller

Data sheet

- Universal marking controller.
- Scribe, stylus, DataMatrix and dot peening marking heads can be used.
- Software: LDM-Makro: in layout mode max. 10 layouts with 40 fields per layout up to 128 layouts with 3 fields per layout or in printer mode up to 400 fields. Alternatively PC-software VisuWin SE or VisuWin Pro.

EK2-/ EG2-box:

- For marking units of the series 312V, 313, 314, 315, 316, 317, 322, 325, 326 and 330
- With integrated membrane keyboard and 4-lines display on the front side
- Independently of control cabinet installation



EK2-box
 2-axis, IP 53



EG2-box
 2-/3-axis, IP 54

BC 7 in 19" integral rack 84 TE or 42 TE:

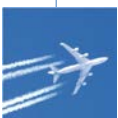
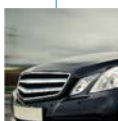
- Marking controller for mounting in a control cabinet or an electronic housing
- For marking units of the series 312V, 313, 315, 322, 325 and 326
- Options: Swiveling mounting, mounted in RITTAL EL2256 control cabinet (IP54), mounted in ventilated electronic compact cabinet



19" integral rack 84 TE



19" integral rack 42 TE





Application area

The marking controller is integrated in (marking) stations with manual or automated workpiece handling.

Version 1:

The marking controller can be integrated into a higher-level station control and is equipped with the LDM Makro software. All parameter settings can be modified using the membrane keyboard (EK2-/EG2-box), via a Windows®-PC provided by the customer and the provided BORRIES Makro loader software. With this software a test and setup operation is also possible including teach-in on marking positions.

Version 2:

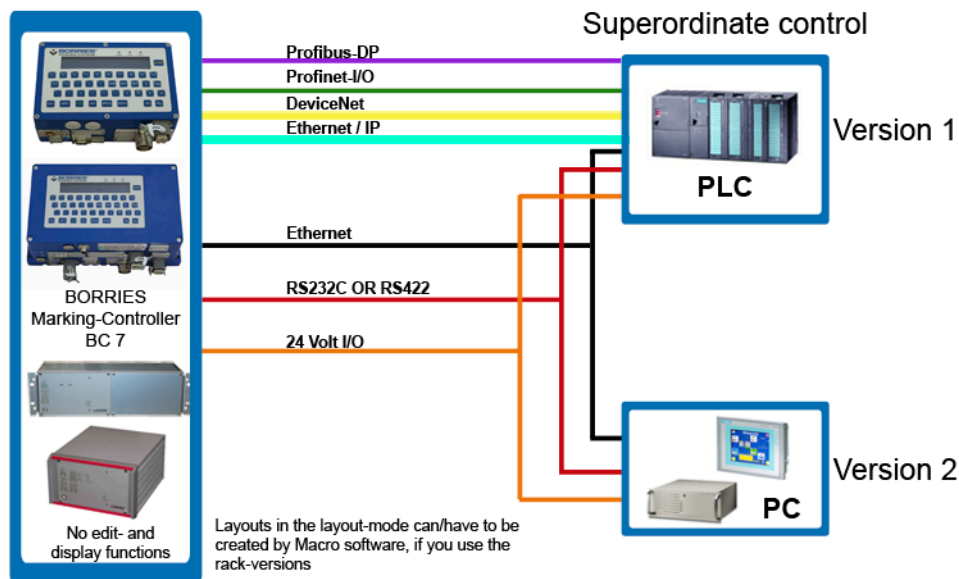
The design, management and modification of different marking images occur via a separate PC with the marking software VisuWin SE or VisuWin Pro. These programs are prepared for the data-technical combination with a superordinate control.

Version 3:

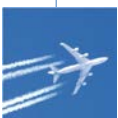
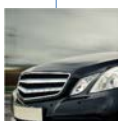
Marking unit and marking controller are operating as an autarky working unit. In this occasion the marking data are entered directly into the controller and are transmitted to the marking unit.

Options

- Different interfaces for data transfer possible.



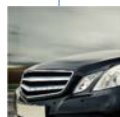
- Variable marking data can be received, for example via barcode scanner.
- The marking process can be started via a superordinate control system.
- Electric marking head (only EK2-/EG2-Box).





Technical data

Property	EK2-box	EG2-box	19", 42 TE, EL2256
Dimensions	See drawing	See drawing	
Application	312V 313 314 316 317	All 2/3 axis systems 315 322 325 326 330	All 2/3 axis systems 315 322 325 326 330
Power supply standard	230 V ± 10%, 50/60 Hz or 115 V ± 10%, 50/60 Hz External trafo switchable	230 V ± 10%, 50/60 Hz or 115 V ± 10%, 50/60 Hz switchable	230 V ± 10%, 50/60 Hz or 115 V ± 10%, 50/60 Hz reconnectable
Power consumption	185 VA	270 VA	300 VA
Environmental temperature	0 to +50 °C	0 to +50 °C	Max. 40 °C
Heat removal over housing		Caution: Rear cooling fins mustn't be covered	Caution: heat removal over free space under the shelf, respectively fans on the rear plate
Protection category	IP 53	IP 54	IP 20 (19"), IP 42 (42 TE), IP 54 (EL2256)
Cable length marker to marking controller	3 m	3 m or 5 m	3 m, 5 m or 10 m
Option	5 m or 10 m	10 m or 15 m	Special lengths on request
Max. numbers of motor shafts	2	3	6 (19", EL2256), 2 (42 TE)





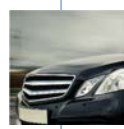
First serial interface	RS232 / RS 422 switchable, USB	RS232 / RS 422 switchable, USB	RS232 / RS 422 alternatively, USB
Second serial interface	RS232 / RS 422 switchable	RS232 / RS 422 switchable	RS232 / RS 422 alternatively
Network interface	Ethernet On-Board	Ethernet On-Board	Ethernet On-Board
Option: Bus-Interface	Profibus-DP Profinet I/O DeviceNet Ethernet/IP	Profibus-DP Profinet I/O DeviceNet Ethernet/IP	Profibus-DP Profinet I/O DeviceNet Ethernet/IP
Software	LDM-Makro VisuWin SE VisuWin Pro	LDM-Makro VisuWin SE VisuWin Pro	LDM-Makro VisuWin SE VisuWin Pro
Real-Time-Clock buffered	Date, time, shift number...	Date, time, shift number...	Date, time, shift number...
Option: with additional E/A-line 24 V Emergency switch-off via two external contacts	12 E / 8 A opto-isolated yes	12 E / 8 A opto-isolated integrated	14 E / 16 A opto-isolated yes
Display and membrane keyboard	Integrated in the housing cover 4 x 40 signs	Integrated in the housing cover 4 x 40 signs	Not possible
Option: radio clock	On request	On request	On request
DataMatrix conversion in the controller	ECC 200 up to 52 x 52 respectively 16 x 48 dots	ECC 200 up to 52 x 52 respectively 16 x 48 dots	ECC 200 up to 52 x 52 respectively 16 x 48 dots
Logo(s)	On request	On request	On request
Electric marking head	yes	yes	No
Option: safety door or light curtain (additional components in a separate housing)	On request	On request	On request





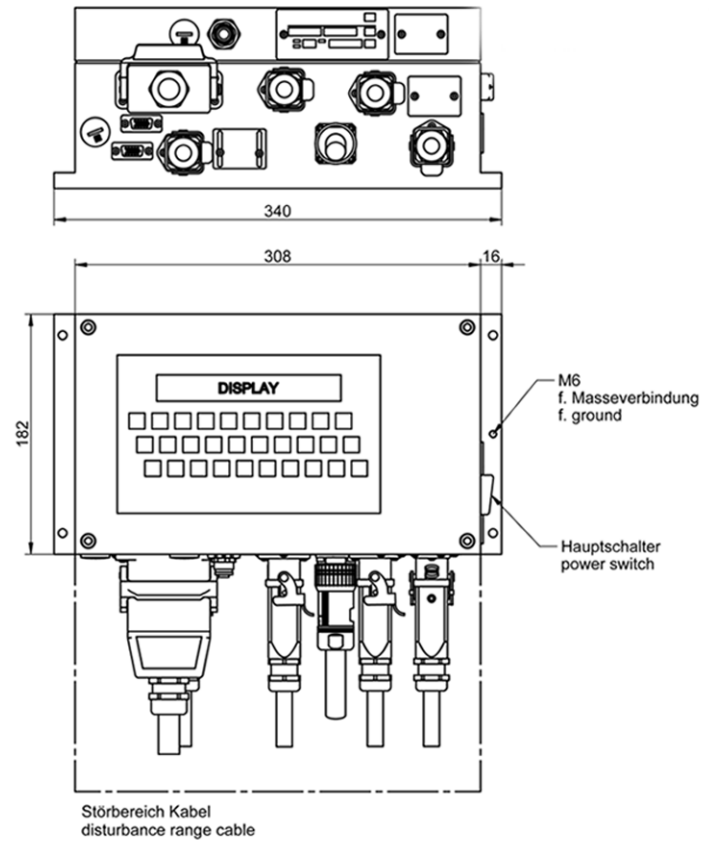
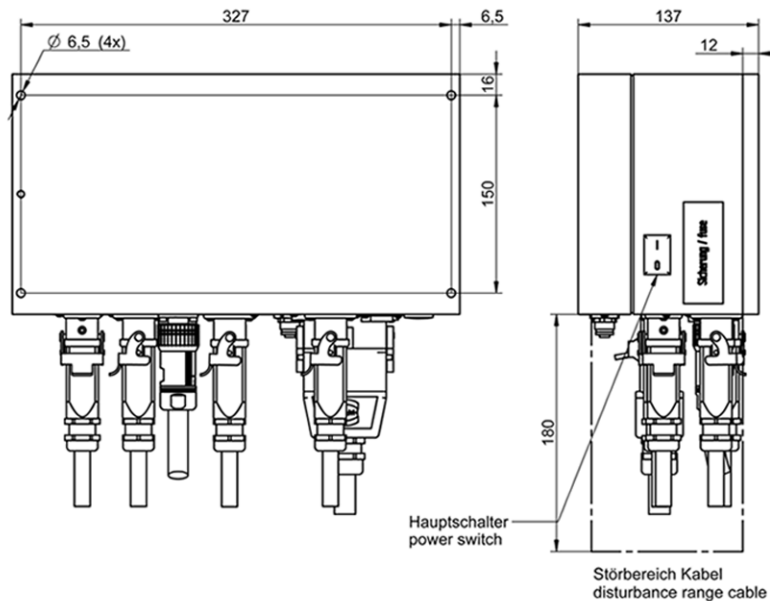
SD-card with back-up software	yes	yes	no
-------------------------------	-----	-----	----

Technical details are subject to change.





Drawing EG2-Box





Drawing EK2-Box

