

## Type holders

### Technical data sheet

Single and multiline design for font heights from 1 to 5 mm.

#### Application area

**Standard type holder** can be used in stamping machines, roll marking machines and pneumo-hydraulic marking machines etc.

**Round type holders THR** for circular marking on plane surfaces such as tubes, gear wheels, axles etc. The following ordering details are required: diameter (measured from middle to middle of type), desired number of types, standard or special types.

**Semi-circle type holders THR-S** for marking on a specified radius on plane surfaces such as blanks, segments, gears etc. The following ordering details are required: radius (measured center to middle of type), desired number of types, standard or special types.



#### Options

Special designs on customer's detailed specifications are available such as:

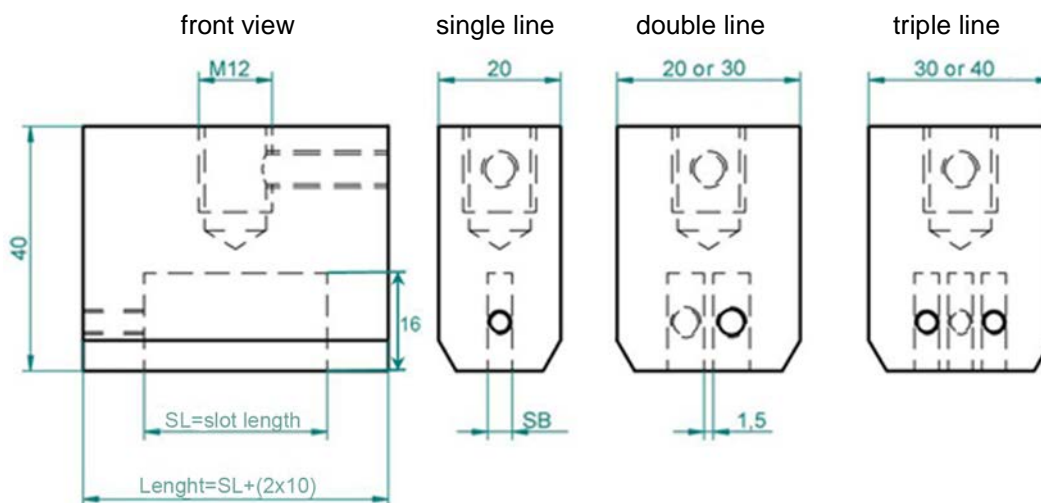
- 4- or 5-lines design
- Individual measurements
- Type holder for hot marking
- Round or segment type holder
- Convex or concave type holder
- Machine shank for stamping machines BM 11/12, BM 18/21 or BM 30/35 and pneumo-hydraulic marking machine PHP 80
- Clamping plate for roll marking machines BM 40/73/76
- Hand punch shaft (standard measurements)



## Standard sizes

TH1 (single line)		TH2 (double line)		TH3 (triple line)	
SB	SL	SB	SL	SB	SL
TH1/ 4	15	TH2/ 4	30	TH3/ 4	30
TH1/ 4	20	TH2/ 4	40	TH3/ 4	40
TH1/ 4	30	TH2/ 4	50	TH3/ 4	50
TH1/ 4	50				
TH1/ 6	20	TH2/ 6	40	TH3/ 6	40
TH1/ 6	30	TH2/ 6	60	TH3/ 6	60
TH1/ 6	40	TH2/ 6	80	TH3/ 6	80
TH1/ 6	60				
TH1/ 6	80				
TH1/ 8	20	TH2/ 8	40	TH3/ 8	40
TH1/ 8	30	TH2/ 8	60	TH3/ 8	50
TH1/ 8	40	TH2/ 8	80	TH3/ 8	60
TH1/ 8	60			TH3/ 8	80
TH1/ 8	80				

SB = slot width, SL = slot length, all dimensions in mm



Technical details are subject to change.

