

Built-in unit 310

Data sheet



- Marking area 51 x 26 mm (X/Y)
- marking technology: dot marking
- DataMatrix coding (ECC200)
- Small and lightweight marking unit for flexible work piece marking
- Y-axis: innovative, newly developed parallelogram guidance (4-joint-transmission)
- X-axis: belt drive with carriage and circumferential ball guide
- Fixed actuators/sensors, thereby no movable cable routing and cable break
- Drive with powerful stepping motors
- Control (marking controller): EK2-Box with membrane keypad and display, protection class IP 53



Application area

The built-in marking unit 310 can be integrated in small areas in production lines. Especially it was made for robot use, for example in robot cells. It marks plain text in dot peening and DataMatrix coding in steel, aluminum or plastic. Standard delivery is with LDM Macro software. Standard settings are printer or layout mode. As an option VisuWin SE as well as VisuWin PRO PC software are available.



Options

- Pneumatic adjustment unit (50 mm, 80 mm or 100 mm stroke)
- Electric adjustment unit (125 mm stroke, only in conjunction with EG2-Box)
- Surface touching (only in conjunction with electric adjustment unit)
- Dirt cover at the bottom of the marking unit





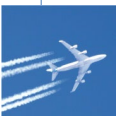
Technical data

Property	Measure, Unit, Explanation
Dimensions built-in unit (W x D x H)	120 x 71 x 179,5 mm (without marking head)
Marking area (X, Y)	51 x 26 mm
Weight of marking unit (without controller)	approx. 2 kg
Character height	from 1 mm (enhancing in 0,1 mm steps)
Mounting position	Free selectable
Documentation	German, English Other languages are optional
Penetration depth marking tip (depending on material, marking head and motorization)	approx. 0,01 – 0,5 mm
Font	DIN 1451, 7 x 5 dot marking DataMatrix Other fonts are optional
Special signs, logos	according to specification
Marking direction	straight line, angle or circular arc

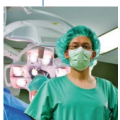
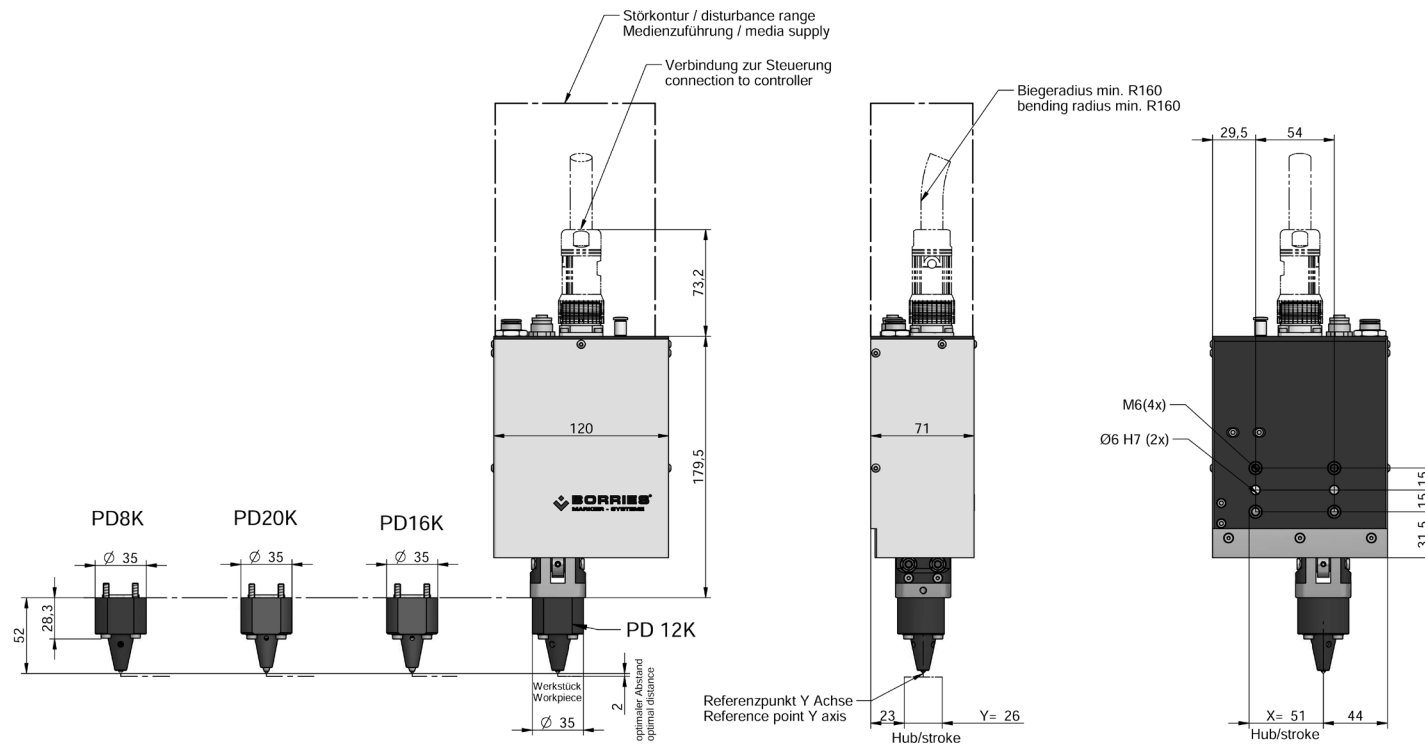
Power supply

Power supply with connecting cable	230 V AC \pm 10 %, 50/60 Hz or 115 V AC \pm 10 %, 50/60 Hz switchable
Pneumatic connection (supply pressure) technically provided compressed air	At least 5 bar dried, oil-free, filtered with 50 μ m
Working pressure (marking pressure)	at least 2 bar up to max. 4 bar

Technical details are subject to change.



Drawing built-in unit 310 without dirt cover



Drawing built-in unit 310 with dirt cover

